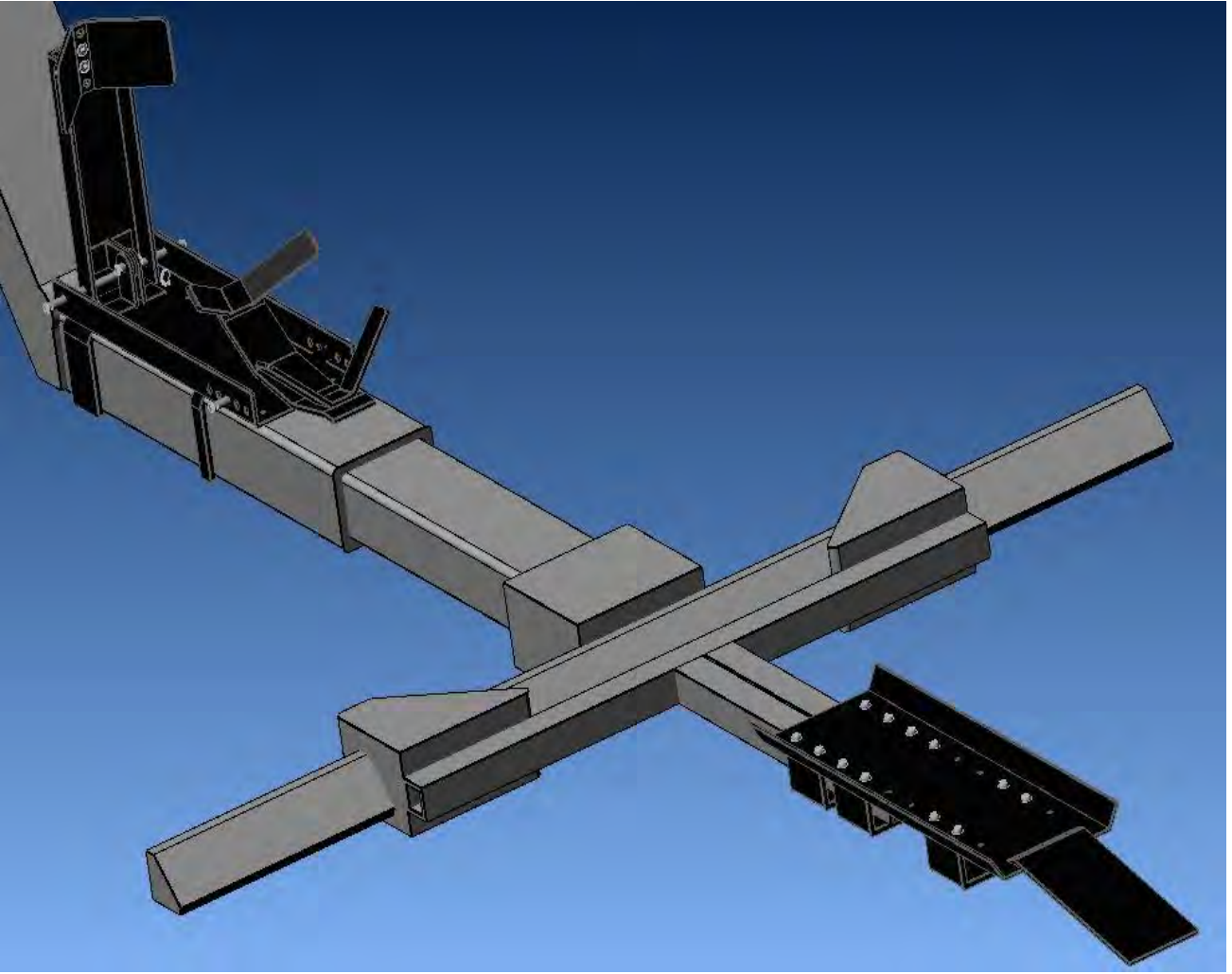


CONDOR® SL-7000 SELF-LOADER USER INSTRUCTION MANUAL



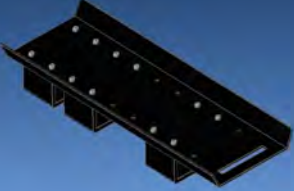
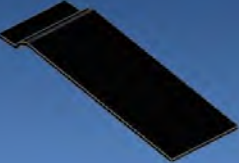



STOP! WARNING: READ THIS FIRST!

First read and understand the instruction manual and product labels for important safety, set-up and troubleshooting information. Consult our website @ www.condor-lift.com for further information and helpful video demonstrations. If you have problems setting up or using the SL-7000 Self-Loader by Condor®, contact customer service at (815) 754-7418 or contact us via email @ www.condor-lift.com. The SL-7000 Self-Loader by Condor® is not intended for use by children.

Components in Package:

Remove all parts from shipping box, check the parts below to make sure you have all the parts needed to assemble your Condor® SL-7000 Self-Loader before beginning. In the unlikely event that you find a damaged or missing part, please call customer support service at (815) 754-7418.

| Component Photo | Item | Component Description | Quantity |
|---|------|--|----------|
|  | A | Condor® SC-2000 Wheel Chock w/ Pin Kit & Manual | 1 |
|  | B | Front Mounting Brackets for SC-2000 | 2 |
|  | C | Rear Support Plate Assembly with 3x RB350 Brackets | 1 |
|  | D | Ramp for Rear Support Plate Assembly | 1 |
|  | E | 5/16" – 18 x 1/2" Thumbscrew | 4 |

Instructions:

1. Attach mounting brackets (B) to main unit (A) using the (4) 5/16" – 18 x 1/2" thumbscrews (E) as shown in Figure 1.
2. Lower boom and extend draw bar (wheel bar) completely. Adjust L-arms (stingers) to the open position.
3. Slide unit (A) with mounting brackets (B) over the lower unit and position the Condor® SC-2000 Wheel Chock completely to the front of the lower unit as shown in Figure 2. At this time the cradle position can be adjusted to the appropriate setting for the bike being transported. See **RECOMMENDED CRADLE SETTINGS** section below and refer to **Supplemental Cradle Recommendations** manual supplied with the Condor™ Wheel Chock for additional information.
4. Slide Rear Support Plate Assembly (C) over both L-arms. Depending on the length of the bike being transported, it may slide completely over the length of the L-arms, or may be cantilevered further back using the two front mounting tubes as shown in Figure 3. Insert the Ramp (D) into the slot in the rear of the plate as shown in Figure 3.
5. Once the Rear Plate is in place, it can be secured by adjusting the L-arms into the closed position until they lock the Rear Plate in place.
6. To load the bike, first double check that the cradle settings are correct and the unit is securely in place. Position the bike in line with the ramp, boom, and unit for a straight approach. Position the front tire 12-24 inches from the ramp to help gain momentum when loading the bike. Carefully roll the bike up the ramp, across the extension arm, and into the Condor® SC-2000 Wheel Chock.

!!Caution: Some extension arms are heavily greased and can cause the front tire to slip. Be extra careful while rolling over this section of the boom.

Before releasing the bike check to make sure the desired lateral retention is achieved. At this time the extension arm may be adjusted to the location of the rear tire, and the ramp should be removed.

7. Strap the bike down to the boom. While experience will dictate how this is accomplished, it can also be done in the following way: Secure the bike from any area of the frame in the rear of the bike, down to the sides of the draw bar. This should result in the bike being pulled down and slightly forward which will load the bike evenly and not over compress the suspension.
8. Before securing the bike or the draw bar to the rear of the truck, raise the boom to its recommended height for transport. Once the boom is at the proper height, the draw bar should be secured with safety chains or straps to the rear of the truck to prevent rotation. If desired, additional strapping of the bike can be done once the boom is raised.
9. To removed the bike, the preceding procedure should be followed in reverse.

Figures:

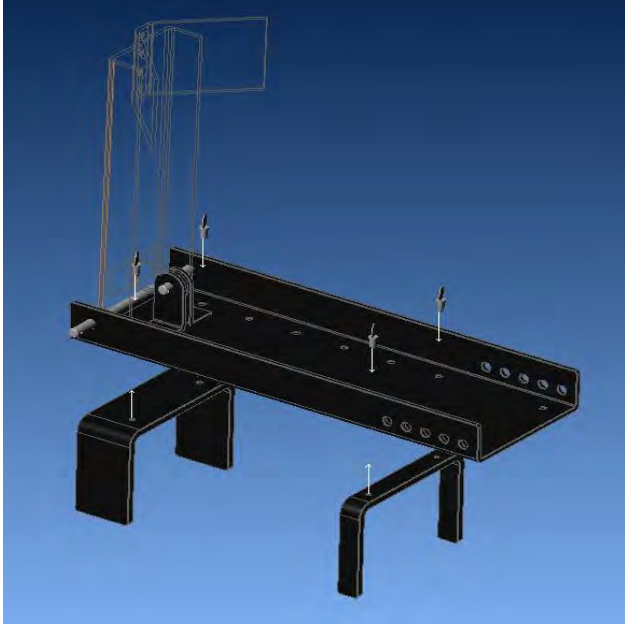


Figure 1

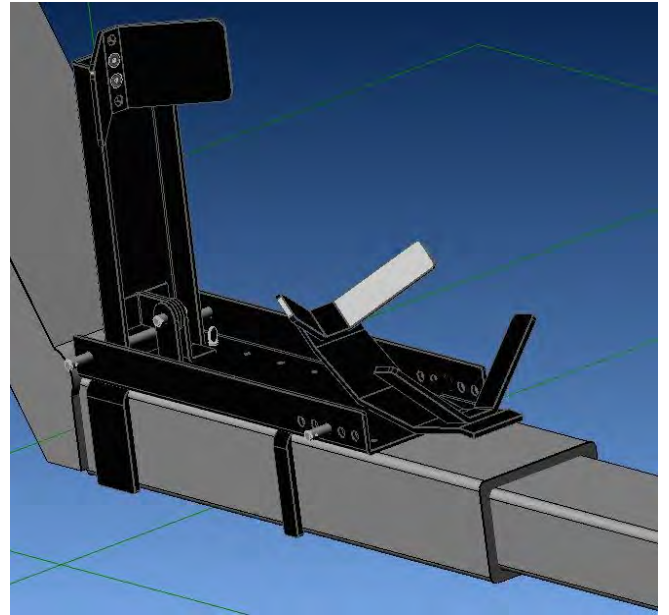


Figure 2

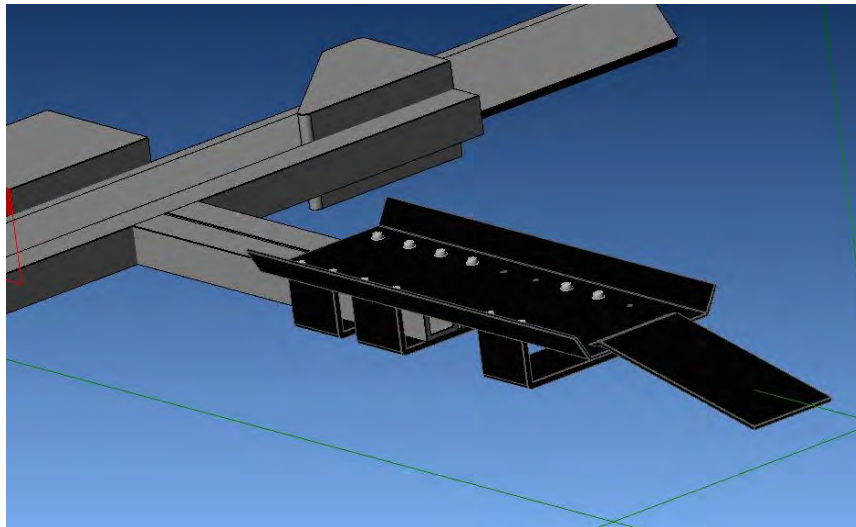


Figure 3

CAUTION:

Always make sure that all fasteners are tight and in place prior to use. Understand the limitations of this product and do not exceed these limitations. Always make sure that the unit's are at their optimum settings for the size of the motorcycle before use. Be sure to read and understand user instructions for the SL-7000 Self-Loader. If instructions are not clear, additional information is available at www.condor-lift.com or call (800) 461-1344. Technical Components Development & Design is not responsible for any damage incurred by exceeding this product's limitations in structure and/or functionality.

One Year Limited Warranty:

This SL-7000 Self-Loader product warranty extends to the original consumer purchaser of the product. All illustrations and specifications contained in this manual are based on the latest product information available at the time of printing. Technical Components Development & Design, Inc. reserves the right to make changes at any time, without notice, in color, material, equipment, options, specifications and models. Models may be shown with optimal equipment. Further information may be obtained by contacting Technical Components Development & Design, Inc. at (815) 754-7418.

RECOMMENDED CRADLE SETTINGS:

The SL-7000 is designed so that for every tire/wheel size within the ranges specified a minimum of 2 cradle settings are suitable. The optimum cradle setting for a specific tire would be the setting that allows the cradle to tilt as far forward as possible without making contact with the unit's mounting surface or ground. The 2nd optimum setting would be the setting forward from the optimum setting away from the entry direction. If less retention is desired at any time due to too much retention or sticking, the cradle may be moved away from the entry direction one notch.

Return Policy:

15 Day return policy applies. Merchandise may be returned within 15 days of purchase. Merchandise must be unused and in its original packaging. Customer must call Technical Components Development & Design, Inc. for a Return Authorization number. Return freight is at the responsibility and expense of the customers. Credit is given upon inspection of returned goods. A ten percent re-stocking fee applies to all returned merchandise.

Warranty Duration:

This product is warranted to the original consumer purchase for a period of one (1) year from the original purchase date.

What is not covered?

Our warranty will not cover abnormal wear of parts, damage resulting from negligent use or misuse of the product, use contrary to operating instructions, or disassembly, repair or alteration by any person other than an authorized service station. We shall not be liable for any incidental or consequential damages for breach of by express or implied warranty on products.

How your state's law may apply:

Some states do not allow limitations on how long any implied warranty lasts or the exclusion or limitation or incidental or consequential damages. So the above limitations may not apply to you. This warranty gives you specific rights, and you may also have other rights, which may vary from state to state.

Thank you for purchasing the Condor[®] SL-7000 Self-Loader.

Condor[®] is a registered trademark of Technical Components Development & Design, Inc.

The Condor[®] SL-7000 Self-Loader is US Patented & International Patent Pending.

Technical Components Development & Design, Inc.

210 Stephenie Dr.

Cortland, IL 60112

Phone: (815) 754-7418

Fax: (815) 754-7419

Website: www.Condor-lift.com