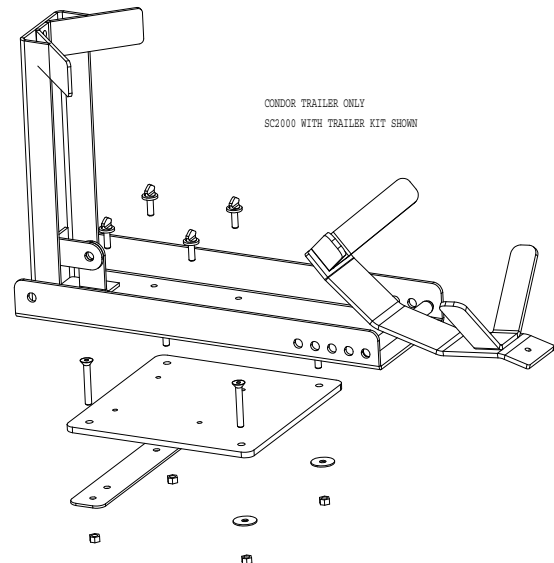


Condor Products.

Technical Components Development & Design, Inc.

4124 Stephenie Drive
Cortland, IL 60112
Phone: (815) 754-7418
Fax: (815) 754-7419
Email: tcdd@condor-lift.com

WebSite: www.condor-lift.com



Condor_R SC2000 Trailer Only With Kit Wheel locking chock:

The Condor_R SC2000 Trailer Only Chock is a fully adjustable wheel locking system capable of accommodating front and rear wheel sizes from 14-22" / 80-220W. The patented locking mechanism effortlessly and securely supports your motorcycle in an upright position on all transportation Platforms. As a Trailer Chock it easily snaps on and off all transport platforms. Attaching and detaching the unit takes only a few seconds. Tying down a motorcycle becomes a simple and an easy task for one person. In most cases, the motorcycle needs only to be tied down with two straps, one on either side with attachments towards the middle or the rear of the bike, with no need for front tie-downs. You will be amazed at how secure and safe your ride will be once tied down in the Condor_R SC2000 cradle. The Condor_{TM} SC2000 accommodates bikes weighing up to 3000 lbs, folds down for easy storage and weighs only 26+ lbs. It's dimensions in the upright position are 9" wide, 25" long and 15" high. Once folded, it becomes 9" wide, 25" long and 7" high. The Condor_R SC2000 W/trailer Kit sells for \$170 +S&H, Trailer adapter kits are \$22 +S&H. For more information or to order please GO TO: WWW.CONDOR-LIFT.COM OR CALL 1-815-754-7418